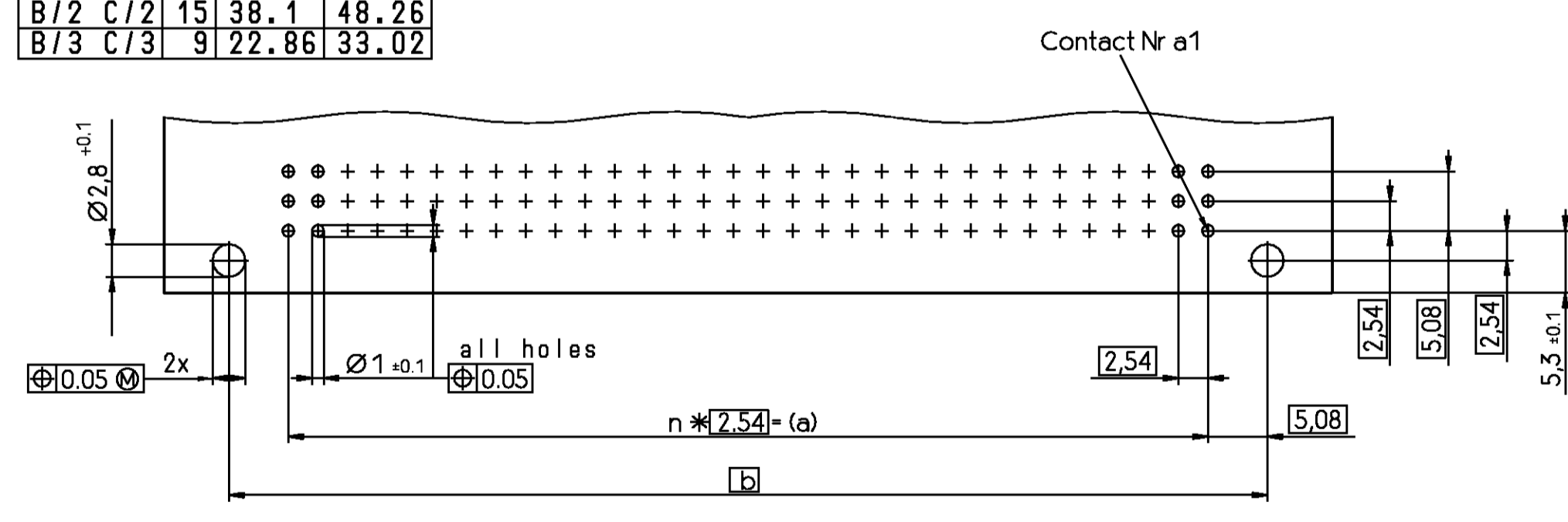


Bauform	n	a	b
B	C	31	78.74
B/2	C/2	15	38.1
B/3	C/3	9	22.86

Mounting holes in PCB



V 4 2 2 5 4 - * 1 * * * - + * * *

B : Standard version
F : Version with flux tight coating

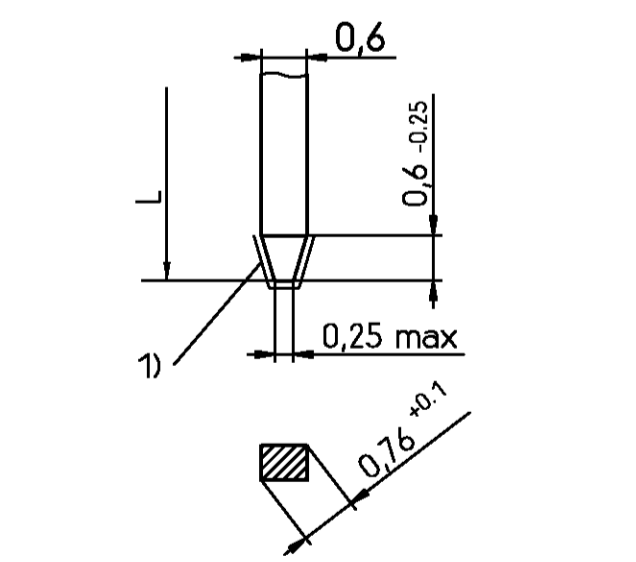
code for performance level
code for termination style

Style, no of contacts and contact assignment see page 2

THIS INFORMATION IS CONFIDENTIAL AND PROPRIETARY TO TYCO ELECTRONICS CORPORATION AND ITS WORLDWIDE SUBSIDIARIES AND AFFILIATES. IT MAY NOT BE DISCLOSED TO ANYONE, OTHER THAN TYCO ELECTRONICS CORPORATION, WITHOUT WRITTEN AUTHORIZATION FROM TYCO ELECTRONICS CORPORATION, HARRISBURG, PENNSYLVANIA USA.

Termination Style

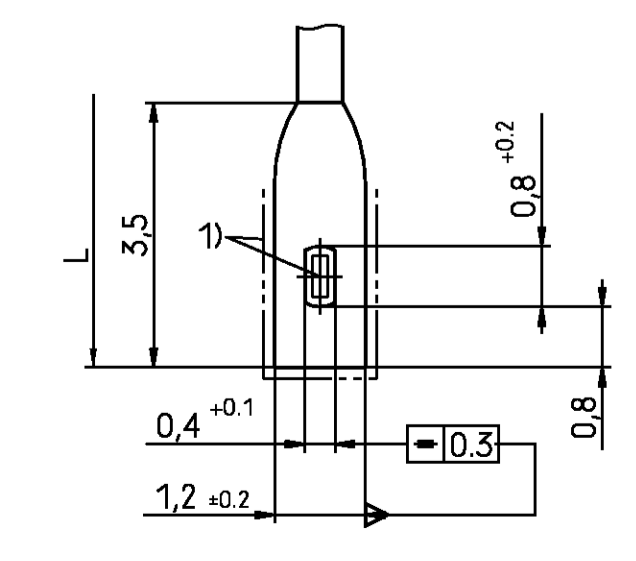
Soldering/Wire-Wrap pins



L	Code
3 -0.4	00
2.9±0.3	01
4.5±0.3	02
13 +0.5	40
11 +0.5	41
17 +0.5	42
Soldering lugs	35
5.5±0.3	
10 -0.5	

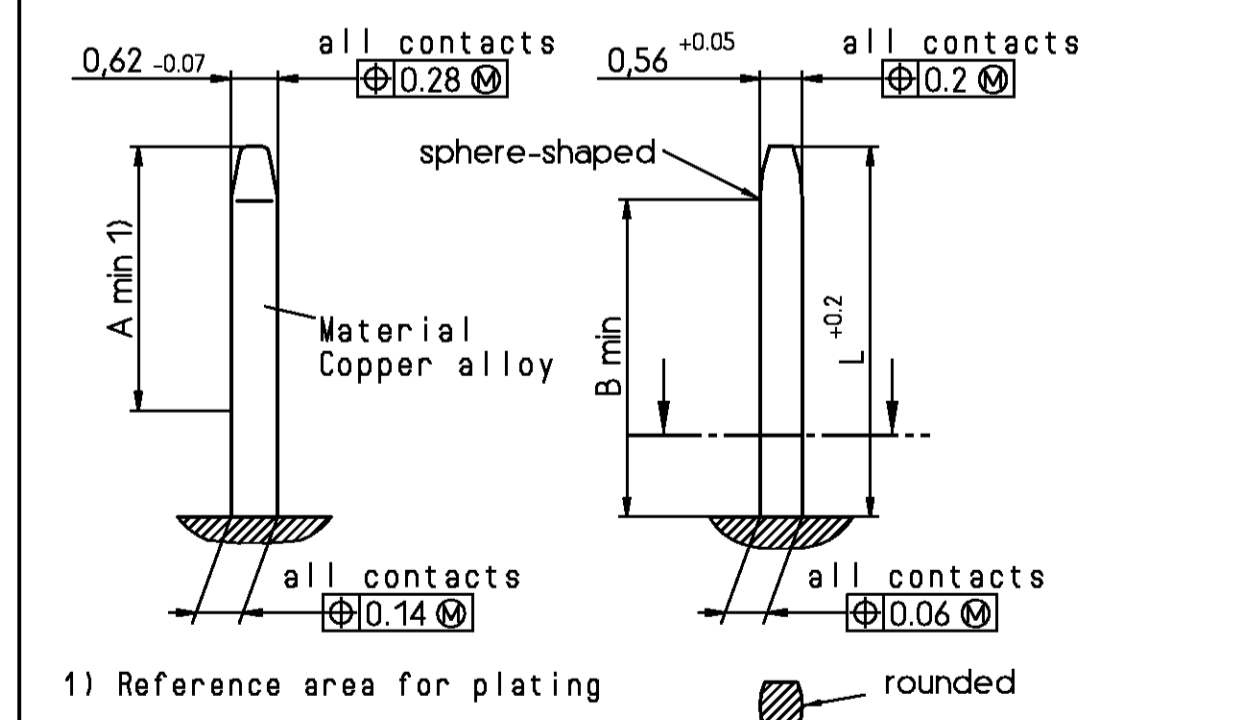
1) Cutting, edges not plated
Terminations with galvanic Sn plating

Soldering lug



V42254-B1***-C***

Contact: Dimensions, plating, material, pre-mating



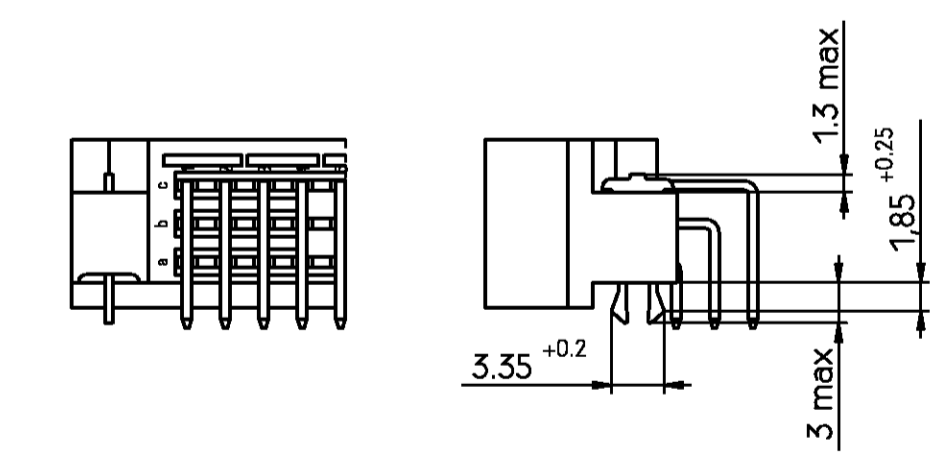
	L	A	B
normal contacts	4.8	3.5	4.2
pre-mating contacts	5.8	4.5	5.2

Performance level acc to DIN41612 and IEC603-2	Noble metals	Code
Class I	PdNi + Au or Au	1
	Au	4
Class II	PdNi + Au or Au	2
	Au	5
Class III	PdNi + Au or Au	3

Nickel underlayer
Protection film: HF-grease

V42254-B1***-C***

Male connector with board locks



Mounted in PC-boards of 1.5 to 1.8 mm
F_m = Mounting force (for 1 connector = 2 Clips)
F_m < 60 N
F_r >= 20 N
F_r >= 200 N, wenn soldered-in

Fr = Retention force (for 1 connector = 2 Clips)

Mounted in PC-boards over 1.8 mm
F_m < 60 N
F_r >= 16 N

tyco TYCO ELECTRONICS CORPORATION
OOSTKAMP - BELGIUM

SCALE: DIMENSIONS IN MM

Part Name: Pin Assembly Eurocard
Types B, C and short versions

Part No: V42254-B1***-C***-7626

Customer Drawing Nr: C 1392009-8

Rev: 05
Date: 07.09.99
App: CLV

Scale: 1:1

Sheet: 1 of 2

